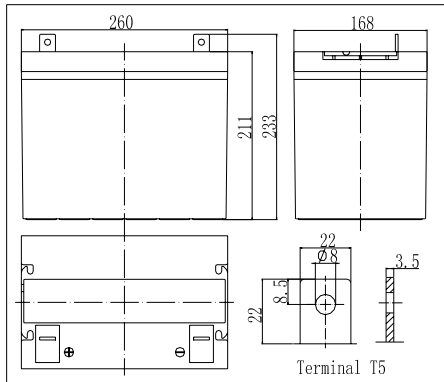


Dimensions

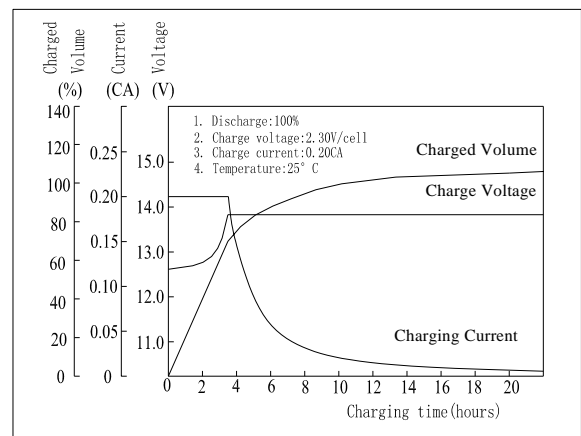


Specifications

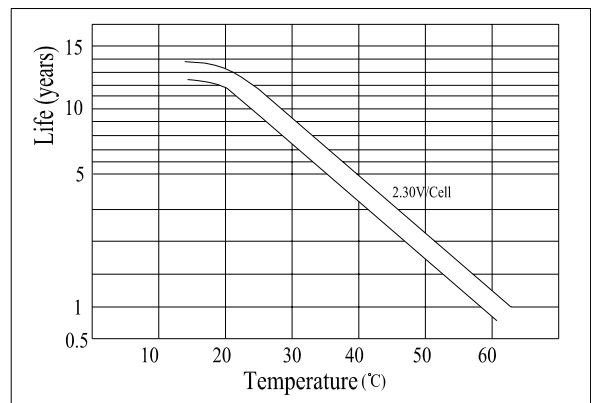
Nominal Voltage		12 V
Capacity(10HR, 25°C)		80Ah
Dimension	Length	260mm (10.24inch)
	Width	168mm (6.61inch)
	Height	211mm (8.31inch)
	Total Height	233mm (9.17inch)
Approx. Weight		25.5kg (56.2lbs)
Internal resistance (Fully charged, 25°C)		Approx.5.4m Ω
Capacity affected by temperature (10HR)	65°C	108%
	55°C	105%
	25°C	100%
	0°C	85%
	-15°C	65%
Self-discharge (25°C)	3 month	Remaining Capacity: 91%
	6 month	Remaining Capacity: 82%
	12 month	Remaining Capacity: 65%
Nominal operating temperature		25°C ± 3°C (77°F ± 5°F)
Operating temperature range		-15°C ~ 70°C (5°F ~ 158°F)
Float charging voltage(25°C)		13.50 to 13.80V
Cyclic charging voltage(25°C)		14.50 to 14.90V
Maximum charging current		24A
Terminal material		Copper
Maximum discharge current		800A(5 sec.)

- ◆ Absorbent glass mat technology;
- ◆ Recognized by UL & CE;
- ◆ ABS container.

Charging Characteristics(25°C)



Temperature Affects On Floating Life



Note: Floating life at 20°C designed for 10 to 12 years.

Constant Current Discharge Characteristics (A, 25°C)

F.V/TIME	5min	10min	15min	30min	60min	3h	5h	10h	20h
9.60V	248	170	132	82.3	52.0	20.3	14.6	8.12	4.26
10.2V	236	161	127	79.0	49.9	20.0	14.4	8.08	4.23
10.8V	222	152	121	75.1	49.6	19.6	14.1	8.00	4.20

Constant Power Discharge Characteristics (Watt, 25°C)

F.V/TIME	5min	10min	15min	30min	60min	3h	5h	10h	20h
9.60V	2607	1833	1453	924	593	239	173	97.0	51.1
10.2V	2477	1742	1395	887	569	235	170	96.5	50.8
10.8V	2328	1637	1325	842	541	230	167	95.5	50.4